

記號 MARK	ECN NO.	日期 DATE	修改 DRAW	核准 APPROVE

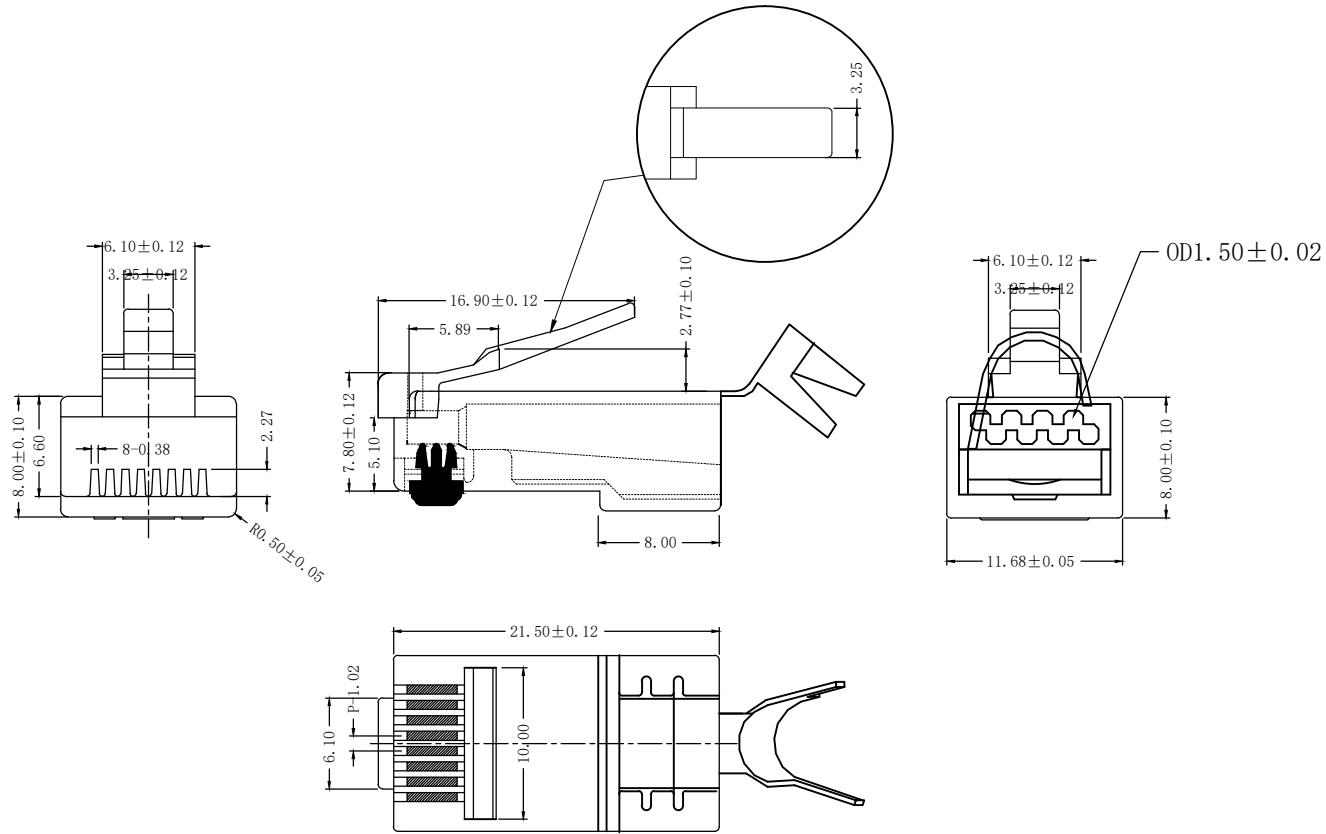
FEATURES:

1 Electrical Test:

- A. Safety Voltage/Current Rating 150V ac, at 1.5A.
- B. Dielectric with standing 1000V/DC/min, <0.5A.
- C. Insulation Resistance: >500M Ω, 1000V./min
- D. Contact Resistance: <20M Ω

2 Mechanical:

- A. Cable-to-Plug tensile strength-20LBs (89N) min.
- B. Durability: 750 mating cycles.
- 3 Operation Temperature: -40°C ~ +85°C.
- 4. Environmental compliance
- A. the products are compliant with the RoHS, and REACH ETC.
- 5. Safety standards: UL E239590



排线支架



EASE ELECTRONICS CO., LIMITED

品名规格 DESCRIPTION	CONN MOD PLUG 8P8C UNSHIELDED CAT7			页次 SHEET	1/1
产品编号 PRODUCT NO	RJ45-7S	单位 UNIT	mm	比例 SCALE	1:1
DIMENSION IN mm (Inch) TOLERANCE UNLESS OTHERWISE SPECIFIED	x, x	±0.2		制图 DRAWN	王辉
	x, xx	±0.1		日期 DATE	2022.07.21
	x, xxx	±0.05		核 CHECK	日期 DATE
第三视角法 THIRD ANGLE PROJECTION		批准 APPRO	夏赞华	日期 DATE	2022.07.21

<input type="checkbox"/> 屏蔽壳 Shell	<input type="checkbox"/> 黄铜 Brass	<input type="checkbox"/> 铁 Spcc
Au: <input type="checkbox"/> G/F" <input type="checkbox"/> 1u" <input type="checkbox"/> 3u" <input type="checkbox"/> Ni <input type="checkbox"/> 80u"	<input type="checkbox"/> 94-V0 <input checked="" type="checkbox"/> 94-V2	1
<input type="checkbox"/> 金片 (PIN针) Contacts	<input checked="" type="checkbox"/> 黄铜 Brass	<input type="checkbox"/> 磷铜 Phosphor copper
<input type="checkbox"/> G/F" <input type="checkbox"/> 1u" <input type="checkbox"/> 3u" <input type="checkbox"/> 6u" <input type="checkbox"/> 15u" <input type="checkbox"/> 30u" <input type="checkbox"/> 50u" <input type="checkbox"/> S"		8

铜片规格

